

SNDT Women's University

1, Nathibai Thackersey Road,
Mumbai 400 020
Phone: +91 22 2203 1879
Fax: +91 22 2201 8226



श्रीमती ना. दा. ठाकरसी विद्यापीठ
१, नाथीबाई ठाकरसी मार्ग
मुंबई ४०० ०२०
Telegram: UNIWOMEN
Website: sndt.ac.in

Estate Dept./2021-22/267

February 10, 2022

SUB: Quotation for Proposal for Furniture & Rearrangement Modular official Table work of Affiliation Department at 3rd floor in Annex bldg. at SNDT Women's University, Churchgate Campus.

Madam/Sir,

Sealed Quotation are invited for Proposal for Furniture & Rearrangement Modular official Table work of Affiliation Department at 3rd floor in Annex bldg. at SNDT Women's University, Churchgate Campus. Interested authorized vendors are supposed to submit their quote along with their detail profile in the format given in "Annexure A" on their company letter head. Quotation should be submitted to the office of "The Registrar" at Churchgate campus on or before 18th February 2022 Contractor should submit their quotes in **two envelopes** enclosed in single envelope along with Technical bid envelope, financial bid envelope. Subject should be mentioned on each envelop.

Envelop may contains following documents in respective envelop:

a) Technical Bid

- i. Profile of the vendor
- ii. Work Experience Certificate (not only the client list)
- iii. Registration Certificate
- iv. GST Certificate
- v. PAN Copy
- vi. If GST is not applicable then declaration of the same.
- vii. .If any work which requires specific expertise/ technical specifications then the same should be mentioned.
- viii. Audited Financial Statements for last three years .(Income Tax)

b) Financial Bid

- i. Mentioning including all taxes
- ii. If required component wise then format to be given component wise
- iii. Terms and condition of contract.

Quotation should be submitted in closed envelop and on top write the subject. As mentioned in the notification

The University reserves the right to reject any or all quotations without assigning any reasons thereof.

Regards,

(Dr. Subhash Waghmare)
Registrar (Addl.Charge)

SNDT Women's University

1, Nathibai Thackersey Road,

Mumbai 400 020

Phone: +91 22 2203 1879

Fax: +91 22 2201 8226



श्रीमती ना. दा. ठाकरसी विद्यापीठ

१, नाथीबाई ठाकरसी मार्ग

मुंबई ४०० ०२०

Telegram: UNIWOMEN

Website: sndt.ac.in

(Offer should filled on letter head)**Annexure A**

To,

The Registrar
SNDT Women's University,
Churchgate, Mumbai

Sub: Proposal for Furniture & Rearrangement Modular official Table work of Affiliation Department at 3rd floor in Annex bldg. at SNDT Women's University, Churchgate Campus.

Respected Madam/Sir,

With reference to subject cited above we would like to furnish our quote with best rate possible as below:

<u>Sr. No.</u>	<u>Description of Item</u>	<u>Qty</u>	<u>Unit</u>	<u>Rate</u>	<u>Amount</u>
1.	Providing and Fixing 55 cm Deep Locker Unit at require location less than 2.0 meter height by 18 to 19mm thick marine ply of requisite manufacture generally confirming to I.S.303/IS 710-1980 for frame, internal verticals, horizontal divisions, opnable shutter (12mm Marine ply), 10mm thick marine ply back, with necessary locks, handles, hardware, lipping (BTC), moulding etc. The external and internal sides shall be finished with 1.5 mm thick sunmica with ani-termite treatment to plywood & wood work internally including all leads and lifts etc. complete as per Architect Drawing and instrution of Engineer in charge.	1.74	Sq. Mtr.		
2.	Providing and Fixing 40 cm Deep full Height Storage Unit at require location less than 2.0 meter height by 18 to 19mm thick marine ply of requisite manufacture generally confirming to I.S.303/IS 710-1980 for frame, internal verticals, horizontal divisions, opnable shutter (12mm Marine ply), 10mm thick marine ply back, with necessary locks, handles, hardware, lipping (BTC), moulding etc. The external and internal sides shall be finished with 1.5 mm thick sunmica with ani-termite treatment to plywood & wood work	10.46	Sq. Mtr.		

SNDT Women's University1, Nathibai Thackersey Road,
Mumbai 400 020Phone: +91 22 2203 1879
Fax: +91 22 2201 8226

श्रीमती ना. दा. ठाकरसी विद्यापीठ

१, नाथीबाई ठाकरसी मार्ग

मुंबई ४०० ०२०

Telegram: UNIWOMEN

Website: sndt.ac.in

	internally including all leads and lifts etc. complete as per Architect Drawing and instruction of Engineer in charge.				
3.	Providing and Fixing 50 cm Deep Half Height Storage cabinet Unit at require location less than 2.0 meter height by 18 to 19mm thick marine ply of requisite manufacture generally confirming to I.S.303/IS 710-1980 for frame, internal verticals, horizontal divisions, opnable shutter (12mm Marine ply), 10mm thick marine ply back, with necessary locks, handles, hardware, lipping (BTC), moulding etc. The external and internal sides shall be finished with 1.5 mm thick sunmica with ani-termite treatment to plywood & wood work internally including all leads and lifts etc. complete as per Architect Drawing and instrution of Engineer in charge.	3.60	Sq. Mtr.		
4.	Providing and Fixing 50 cm Deep Full Height Storage with Half Height Storage cabinet Unit at require location less than 2.0 meter height by 18 to 19mm thick marine ply of requisite manufacture generally confirming to I.S.303/IS 710-1980 for frame, internal verticals, horizontal divisions, opnable shutter (12mm Marine ply), 10mm thick marine ply back, with necessary locks, handles, hardware, lipping (BTC), moulding etc. The external and internal sides shall be finished with 1.5 mm thick sunmica with ani-termite treatment to plywood & wood work internally including all leads and lifts etc. complete as per Architect Drawing and instrution of Engineer in charge.	7.5	Sq. Mtr.		
5.	Providing and Fixing 40 cm Deep Full Height Storage with Half Height Storage cabinet Unit at require location less than 2.0 meter height by 18 to 19mm thick marine ply of requisite manufacture generally confirming to I.S.303/IS 710-1980 for frame, internal verticals, horizontal divisions, opnable shutter (12mm Marine ply), 10mm thick marine ply back, with necessary locks, handles, hardware, lipping (BTC), moulding etc. The external and internal sides shall be finished with 1.5 mm thick sunmica with ani-termite treatment to plywood & wood work internally	24.79	Sq. Mtr.		

SNDT Women's University

1, Nathibai Thackersey Road,
Mumbai 400 020
Phone: +91 22 2203 1879
Fax: +91 22 2201 8226



श्रीमती ना. दा. ठाकरसी विद्यापीठ
१, नाथीबाई ठाकरसी मार्ग
मुंबई ४०० ०२०
Telegram: UNIWOMEN
Website: sndt.ac.in

	including all leads and lifts etc. complete as per Architect Drawing and instruction of Engineer in charge.				
6	Tables (1.20X0.60) : Providing & fixing in position table for the Clerical Staff having overall size of 120x60x76 cm height made out of 19mm thick Marine Ply of the requisite manufacture generally confirming to I.S.303/I.S.710-1980 top, vertical side & 12mm marine plywood of requisite manufacture generally confirming to sides and 12mm marine ply bottom with necessary sliders one open shelf of 19mm thick marine ply with necessary lipping on external sides and foot rest out of 40x75 mm (finished dimension) CPTW etc. as per drawing and instructions. the external side and top shall be finished with 1mm thick laminate matt/suede/fine line finished lamination pattern with grooves all internal surfaces on table and drawer shall be internally finished with two coats of french polish with antitermite treatment.	3.63	Sq. Mtr.		
7	Supply of labour to dismantle/ lowering down/ removing existing old partition	6	No.		
	Net Total				
	Add GST as Applicable				
	Total				

All the terms and conditions given in notifications are studied thoroughly and accepted fully.

Thanking You,

Yours Faithfully,

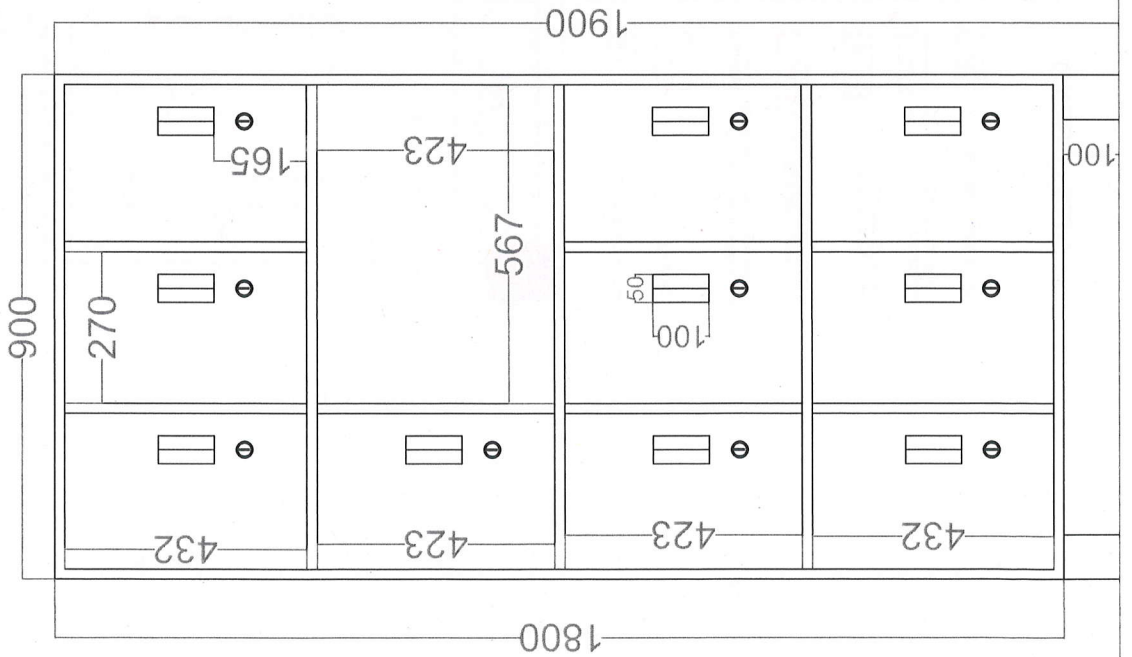
Name of Company

Signature of the Proprietor

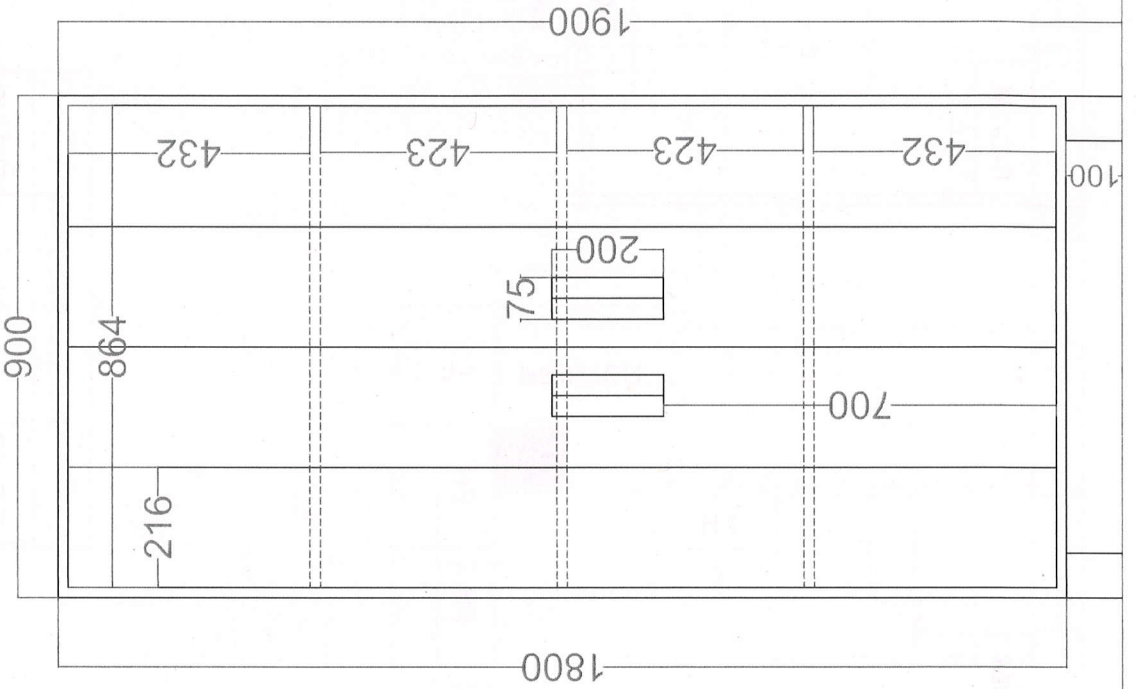
Date:

Note: Enclose GST number, PAN number, declaration if GST is not applicable

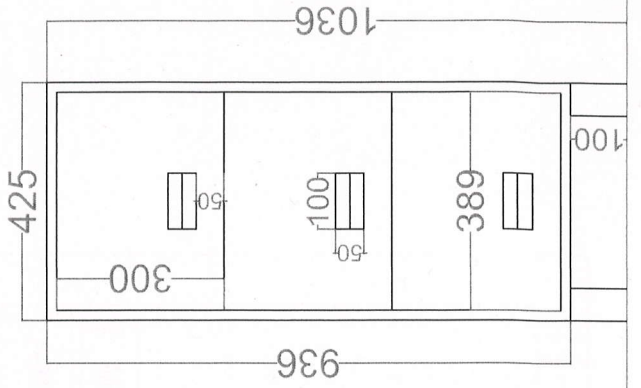
L (1) - 550MM



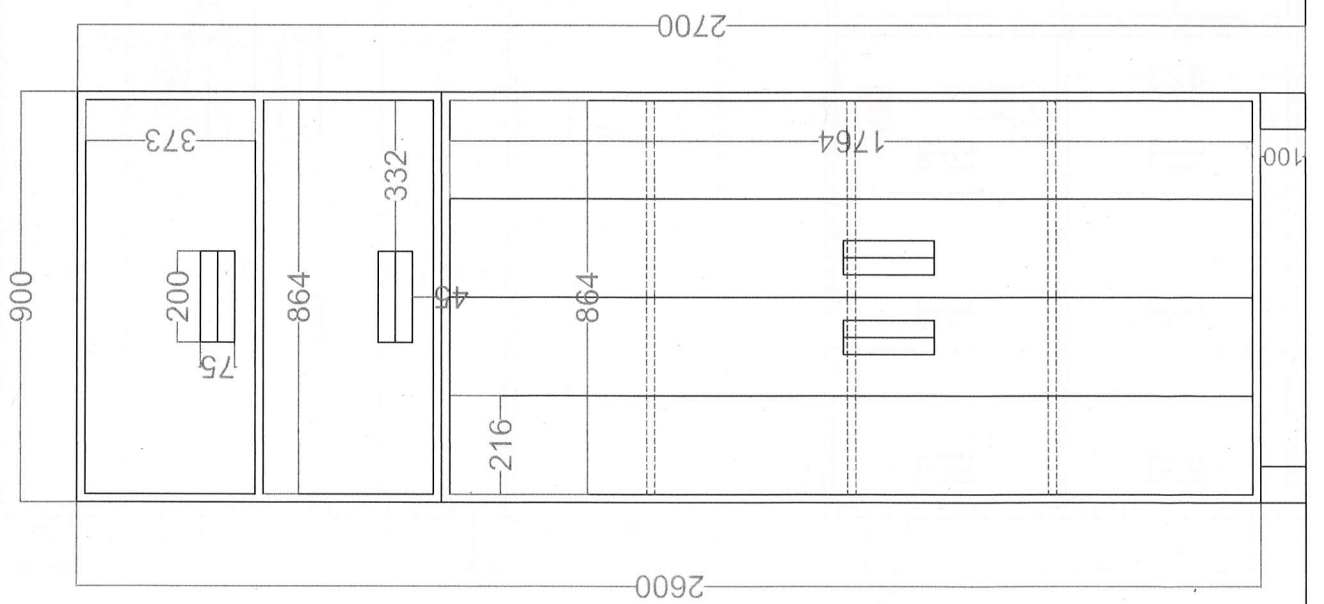
FH (6) - 400MM



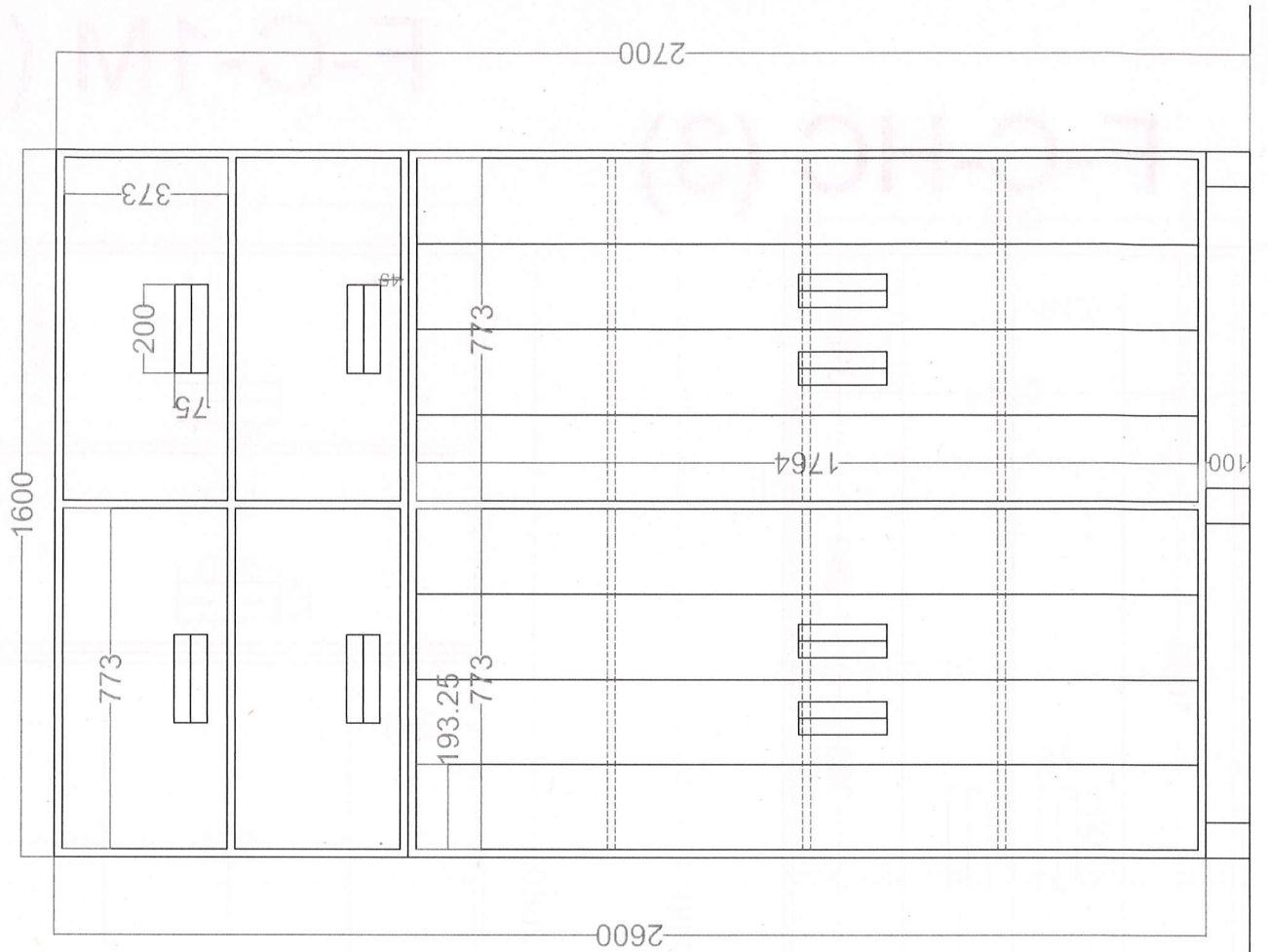
HH (8) - 500MM



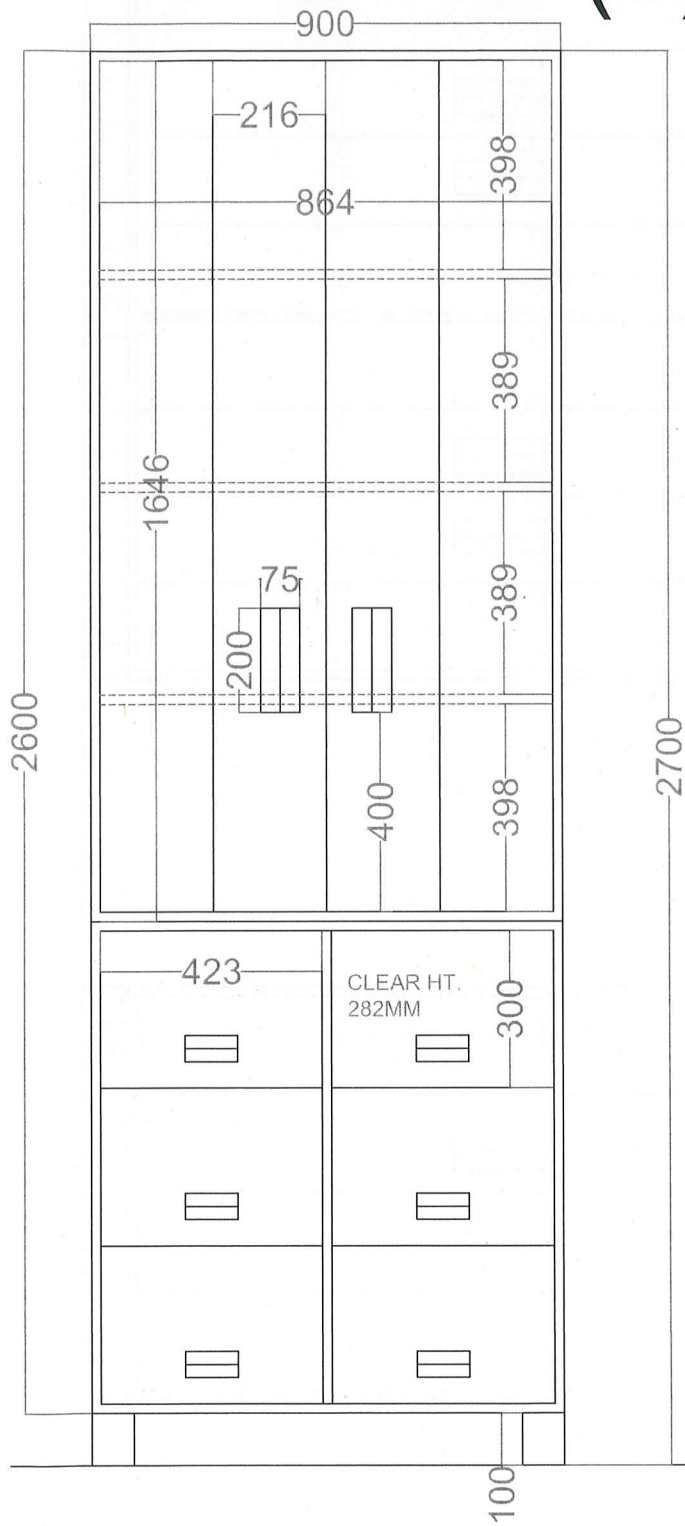
F-C (6)-400MM



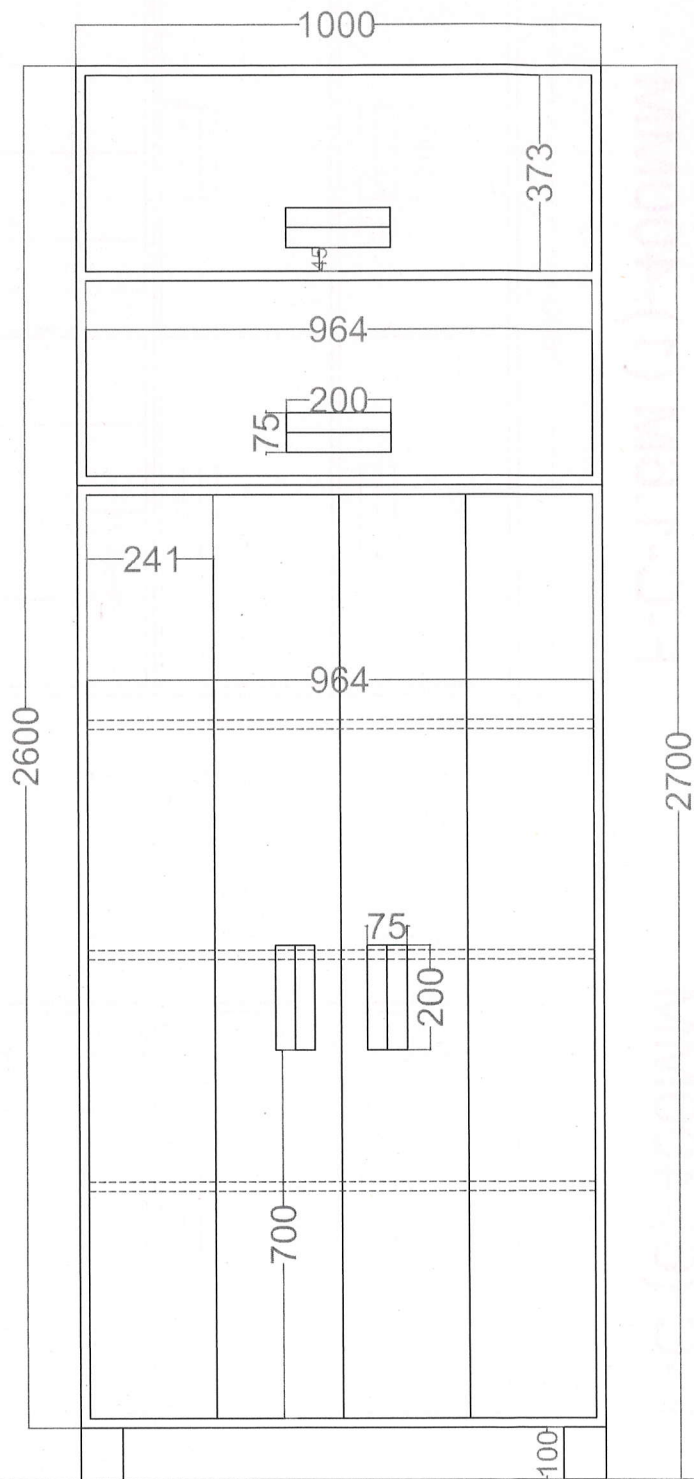
F-C-1.6M (1)-400MM

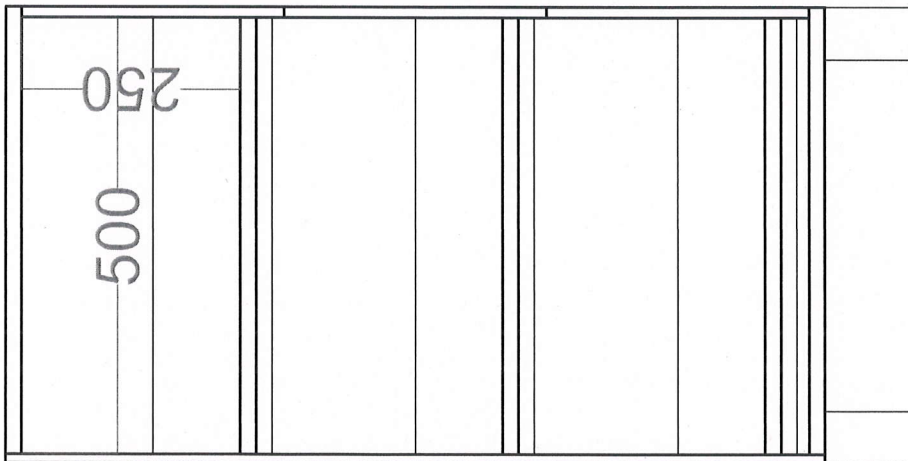


F-C-HC (3)

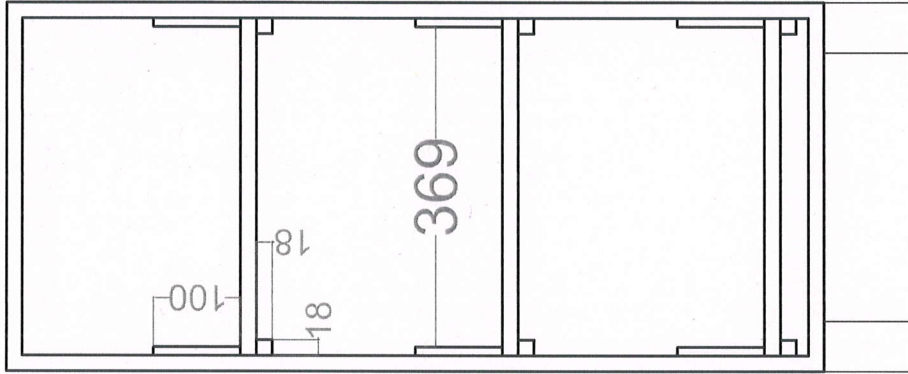


F-C-1M (2)





AA'



BB'

